



Quality First For Performance That Lasts

CVC240/S/HXL

Quick Installation Guide

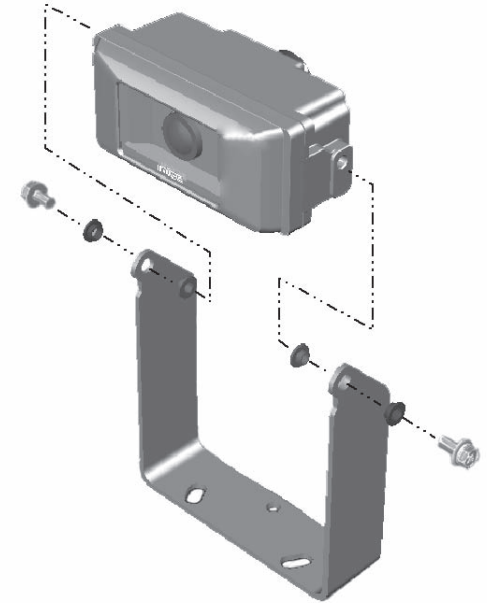
Included in the box:

- 1 - CVC240HXL or SHXL - Camera
- 1 - Mounting Bracket
- 1 - Mounting Bolt Set

1 Determine a secure mounting location for your Car Vision camera and install the camera bracket with the hardware provided. The camera should be installed so that the area you are trying to view is clearly seen on the display and a critical reference (leading edge) of the vehicle is also visible.

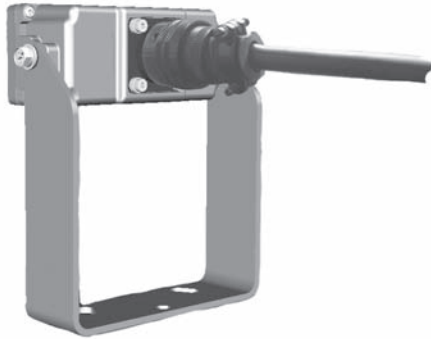
For example: Rear mounted cameras should be installed to give you the maximum viewing area behind the vehicle while still seeing the rear most part of the vehicle or the leading edge at the bottom of the displayed image.

Warning: The orientation of the image displayed is critical to safe vehicle operation. An object on the right side of your vehicle needs to be seen on the right side of the display screen. Always confirm proper image orientation before driving or operating your vehicle.



2 Assemble the camera to the bracket and secure the CVXLP series cable.

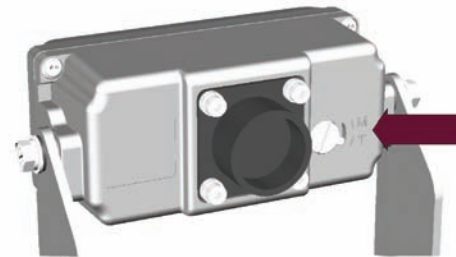
The connection is made by aligning the connector keys, largest key at the top, and pushing the connector in slightly and rotating the locking collar clockwise until it fully locks into place.



Changing the Camera Image:

If you need to reverse the camera image, you can do so by using a flat screwdriver and rotating the Image Reversal Switch on the back of the camera.

The camera is by default set to "IT" which when connected to an INTEC display will provide a "Mirror" image view on the display.



Optional Mounting Accessories
Various Bracket Lengths
Metal Camera Enclosures

For a more detailed set of installation instructions, please visit www.intecvideo.com/support.html
You may also call us toll free at 800-468-3254 (West) or 800-522-5989 (East) with any questions. Rev D 02/2014